

Pipelayer

RL 24

Engine output: 90 kW / 122 HP

Max. lift capacity: 24.000 kg / 52,911 lb

Operating weight: 21.860 kg / 48,193 lb



Basic machine

Engine

Diesel engine	John Deere PowerTech 6068H, emission regulations according to 2004/26/EG stage IIIA and EPA/CARB Tier 3
Rating (ISO9249)	90 kW / 122 HP
Rating (SAE J1349)	90 kW / 121 HP
Rated speed	2.100 rpm
Displacement	6,8 l / 414 cu. In.
Design	6-cylinder-in-line engine, water cooled, turbocharged, air-to-air intercooler
Injection system	Common Rail system with direct injection, electronic engine management
Engine lubrication	Pressurised lube system, engine lubrication guaranteed for inclinations up to 45 degrees
Operating voltage	24 V
Alternator	80 A
Starter	7,5 kW
Batteries	2 x 117 Ah / 12V
Air cleaner	Dual stage dry type with safety element, pre-cleaner, service gauge in the cab
Cooling system	Combi radiator, comprising radiators for water, hydraulic fluid and charge air

Travel drive, control

Transmission system	Infinitely variable hydrostatic travel drive, independent drive for each track
Travel speed	- Infinitely variable from 0 to 8,9 km/h / 5.5 mph - Setting of travel speed ranges on the travel joystick Reverse speed can be set at 80, 100, 115 or 130% of forward speed (max. 8,9 km/h / 5.5 mph)
Drawbar pull	161 kN at 1,0 km/h - 0.6 mph
Electronic control	Electronic engine speed control automatically adjusts travel speed and drawbar pull to match changing load conditions
Steering	Hydrostatic
Service brake	Hydrostatic (dynamic braking), wear free
Automatic park brake	Wet multiple disc brake, wear free, automatically applied
Cooling system	Transmission oil cooler integrated in combi radiator
Filter system	Micro cartridge filter
Final drive	Triple reduction final drives, spur gears
Control	Single joystick for all travel and steering functions; decelerator pedal
Adjustments	Operator can individually adjust travel drive parameters via the monitor, e.g. joystick response, decelerator pedal response, etc.
Decelerator pedal	Decelerator pedal allows reduction of ground speed with or without reduction of engine rpm's

Operator's cab / canopy

Cab	Resiliently mounted cab with positive pressure ventilation, integrated ROPS Rollover Protective Structure (ISO 3471) and FOPS Falling Objects Protective Structure (ISO 3449)
Canopy	Resiliently mounted canopy. Integrated ROPS Rollover Protective Structure (ISO 3471)
Operator's seat (cab)	Fully adjustable air-suspended comfort seat; adjusts automatically to operator's weight
Operator's seat (canopy)	Fully adjustable mechanical suspension comfort seat
Monitoring	Combined analogue / LC display. Automatic monitoring, display and warning of deviating operating parameters

Refill capacities

Fuel tank	227 l
Cooling system	23 l
Engine oil with filters	24 l
Transmission oil tank	65 l
Hydraulic oil tank	70 l
Final drives each	13 l

Undercarriage

Design	Track frame, rigid
Mount	Via separate pivot shafts and a fixed equaliser bar
Chains	Lubricated, single grouser shoes; track chain tensioning via steel spring and grease tensioner
Links, each side	49
Track rollers/carrier rollers	9 / 1
Sprocket segments	5
Track shoes standard	762 mm / 30"
Track shoes option	610 mm / 24" and 710 mm / 28"

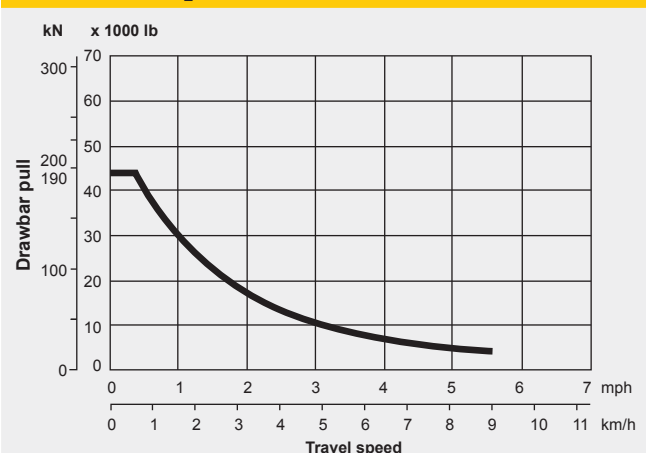
Hydraulic system

System	Closed center
Pump type	Piston pump
Pump flow max.	155 l/min / 34.1 gpm
Pressure limitation	350 bar / 5,075 PSI
Control valve	2 segments
Filter system	Return filter

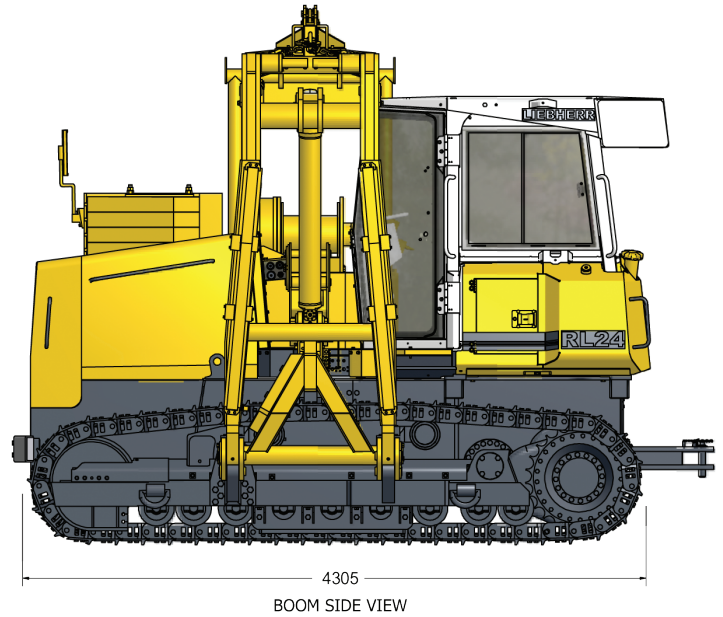
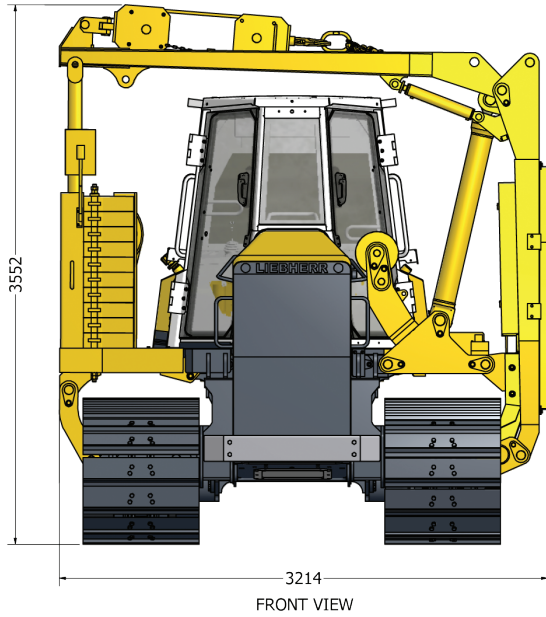
Hydraulic winch

Hoist winch	Variable flow hydraulic pump
Safety brake	Spring-loaded disc brake holds the load safely in any position
Drum diameter	248 mm / 10"
Drum length	
Flange diameter	
Cable diameter	16 mm / 0.63"
Cable length	55 m / 60.15 yd
Hook block	3 sheaves
Hook speed (up, down)	0-33 m/min 0-108 ft/min

Drawbar pull RL 24



Dimensions and weights



Dimensions

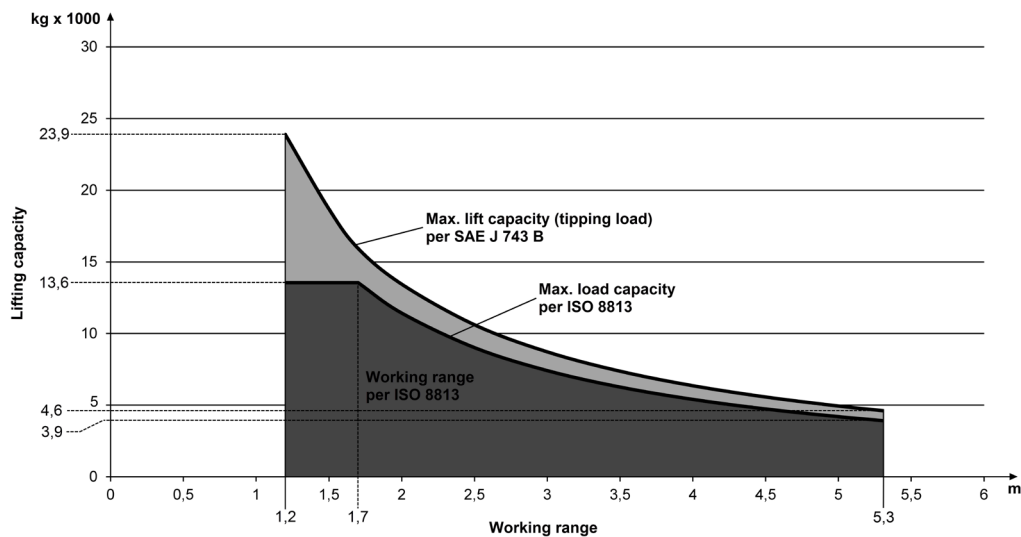
Height over boom (folded)	3.552 mm / 11.65 ft
Length of basic tractor	4.305 mm / 14.12 ft
Length of track on ground	3.240 mm / 10.63 ft
Grouser height	56 mm / 0.18 ft
Tack gauge	1.981 mm / 6.50 ft
Width over tracks / overall width	3.214 mm / 10.54 ft
Overall length	4.305 mm / 14.12 ft
Ground clearance	413 mm / 1,35 ft
Boom length (foldable)	5.160 mm / 16.93 ft
Boom length (fixed)	5.000 mm / 16.40 ft

Weights

Operating weight	21.860 kg / 48,193 lb
Ground pressure (with standard plates)	0,44 kg/cm ² / 6.26 PSI

Lift capacity

RL24 lift capacity
Foldable boom



Equipment

Basic machine

Towing hitch rear, 145 mm	●
Tow switch	●
Twing lug front	●
Battery compartment, lockable	●
Ether start aid	●
Fan guard	●
Engine doors, hinged, lockable	●
Lugs for crane lifting	●
Fuel / water separator	●
Air-filter, dry-type, dual stage	●
Toolkit	●
Engine air pre-cleaner	+

Travel drive

Parking brake, automatic	●
Function monitoring, automatic	●
Control, single joystick	●
Load limit control, electronic	●
Electronic transmission control	●
Triple-reduction final drives	●
Multiple speed settings	●
Hydrostatic travel drive	●
Inching brake pedal	●
Oil cooler	●
Safety lever	●

Operator's canopy (OPTION)

ROPS	●
Operator's seat, 6-way adjustable	●
Operator's seat, air suspended, tiltable	●
Armrests 3D adjustable	●
Knee cushion pads	●
Lumbar support, adjustable	●
AM/FM radio	●
Rear view mirror, inside cab	●
Socket, 12V	●
Back rest extension	●
Warm water heating	+
Fire extinguisher	+

Undercarriage

Track frame, closed	●
Sprocket segments, bolted	●
Master link, two piece	●
Tracks oil lubricated	●
Full length track guard	●
LGP track plates (762 mm.)	●
Track plates 610 mm / 24"	+
Track plates 710 mm. / 28"	+
Pivot shafts, separate	●
Rubber track pads	+

Electrical system

Starter motor 7,5 kW	●
Working lights, front	+
Working lights, rear	●
Batteries, heavy duty, cold start, 2 units	●
Battery main switch, mechanical	●
On-board system 24V	●
Alternator 80A	●
Back-up alarm	●
Beacon	+
Horn	●
Additional lights	+

Operator's cab

Storage tray	●
Armrests 3D adjustable	●
Pressurised cab with air filter	●
Operator's seat, 6-way adjustable	●
Operator's seat, air suspended, tiltable	●
Dome light	●
Air conditioning	●
Knee cushion pads	●
Lumbar support, adjustable	●
AM/FM radio	●
ROPS/FOPS	●
Rear view mirror, inside cab	●
Safety glass, tinted	●
Windshield washer system	●
Windshield wipers, front, rear and doors with intermittent function	●
Sliding window, left	●
Sliding window, right	●
Socket, 12V	●
Back rest extension	●
Warm water heating	●
Fire extinguisher	+

Control and warning lights

Display travel speed range (digital)	●
Display engine coolant temperature (analogue)	●
Display charging voltage (digital)	●
Display engine oil pressure (analogue)	●
Display servo-pressure implement hydraulics (digital)	●
Display fuel level (analogue)	●
Hour metre (digital)	●
Indicator light battery charging	●
Indicator light parking brake	●
Indicator light decelerator mode	●
Indicator light joystick neutral position	●
Indicator light transmission oil temperature	●
Indicator light implement hydraulics oil temperature	●
Indicator light fuel / water separator	●
Indicator light transmission oil filter	●
Indicator light implement hydraulics oil filter	●
Indicator light air filter restriction	●
Indicator light seat belt	●

Attachments

Boom 5.160 mm foldable	●
Boom 5.100 mm fixed	+
Boom 7.000 mm fixed	+
Boom extension (JIB), 2.700 mm, 1.000 kg capacity	+
Boom protection strips for 5.100 mm boom	+
Boom protection strips for 7.000 mm boom	+
Counterweight	●
Hook with rope	●
Enclosed operator's cab	●
Open operator's canopy (see description to the left)	+
Drawbar rear, rigid, 530 mm	+
Rear winch, line pull 115,3kN / 11.757 kg	+
Hydraulic PTO for powering external equipment (pipe facing machine etc.)	+
Rear platform with generator and two welding machines	+
Front platform with HIAB crane XS099	+
GOST features and certification	+
Arctic kit, for -40°C	+

● = Standard, + = Option

Subject to change

Options and / or special attachments, supplied by vendors other than Maats, are only to be installed with the knowledge and approval of Maats to retain warranty.

Documentation Technical RL24 English Rev. 2